



# AIRBORNE SYSTEMS

## G2-AS100 Mid-Format Aerial Camera System

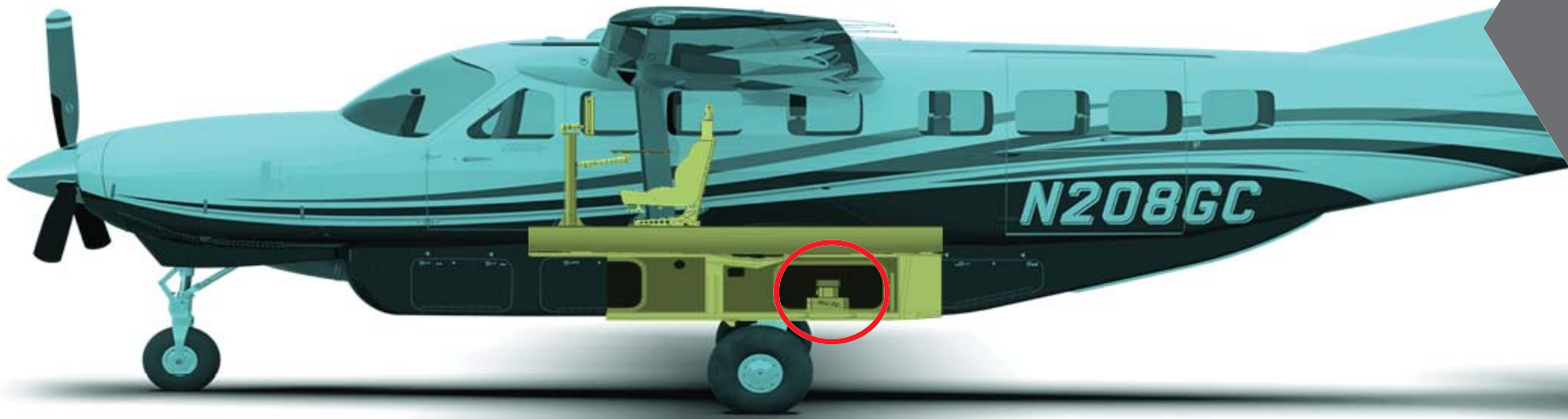


MISSION  
READY

### 100 MP Camera System

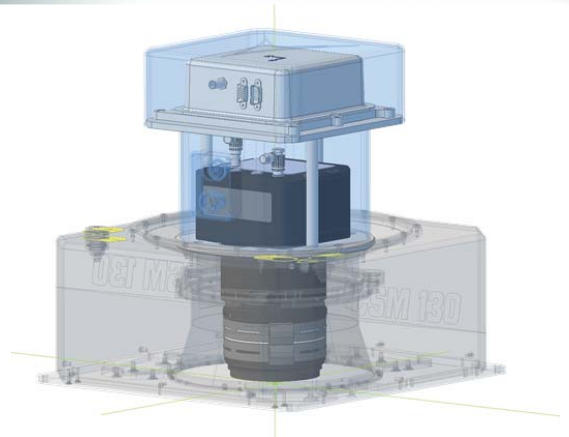
1. 100 MP PhaseOne iXU RS 1000 camera
2. SOMAG CSM130 Gyro-stabilized gimbal
3. Novatel GNSS/IMU georeferencing system
4. Rugged controller and operator terminal





## A Compact System That Fits in Most Cargo Pods

G2-AS100 is a complete system fully integrated in a compact form factor with the most advanced and highest quality components available in the market for professional aerial photography.



### Phase One iXU-RS 1000

- Resolution: 100 MP/ 11608 x 8708
- Dynamic range: >84 db
- Aspect ratio: 4:3
- Pixel size: 4.6 micron
- CCD size effective: 53.4 x 40 mm
- Light sensitivity (ISO): 50-6400
- Shutter speed: up to 1/2500 second
- Shutter life: Up to 500,000 cycles
- Shutter control: 1/3 f-stop increments
- GPS/IMU support  
Applanix, NovAtel, IGI, NMEA Devices
- 1 TB SSD storage (in iX Controller)
- CompactFlash card Type I/II including UDMA 6 and 7
- Capture rate at full resolution: 0.85 sec

### NOVATEL GNSS+IMU

- Meter to centimeter level accuracy
- 125 Hz navigation solution and raw measurement output
- GPS, GLONASS, SBAS and RTK support
- NovAtel's tightly coupled GNSS + INS engine
- Tactical grade IMU performance
- Commercially exportable IMU
- Inertial Explorer GNSS+IMU postprocessing software.

### TopoFlight SOFTWARE

- Mission Planning
  - 3D graphical environment
  - Use DEM for accurate coverage
  - Plan for camera and LiDAR systems
  - Exports to many Flight Management Systems
- TopoFlight Navigator
  - Mission execution module
  - Independent pilot and operator displays
  - Supports many types of sensors
  - Built in real time quality control

### SOMAG CSM 130 GIMBAL

- Angular Stabilization Ranges
  - Arbitrary Horizontal Axes:  $\pm 15.0$  degree
  - Pitch - at 0 degree Roll:  $\pm 15.0$  degree
  - Roll - at 0 degree Pitch:  $\pm 15.0$  degree
  - Yaw (Drift):  $\pm 25.0$  degree
- Deviation from Perpendicular  
(Angular Rate of the base plate  $\pm 10.0$  degree/second) with IMU support (accuracy depends on IMU)  $\leq 0.2$  degree rms
- Payload: 0.0...15 kg, 0.0...33.1 lb.
- Operational Voltage  
28 VDC (24...30 VDC)
- Power Consumption at 28 VDC  
30 W rms / Peak 90 W

PHASE ONE  
INDUSTRIAL

TopoFlight  
SYSTEMS

NovAtel

somag®  
AG JENA